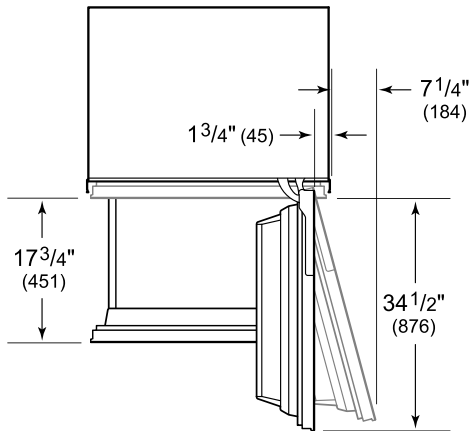
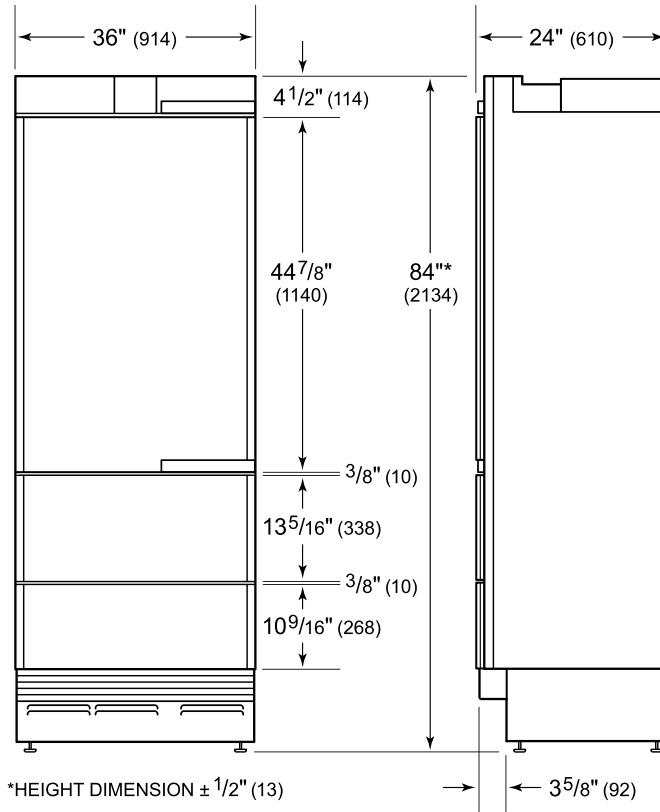
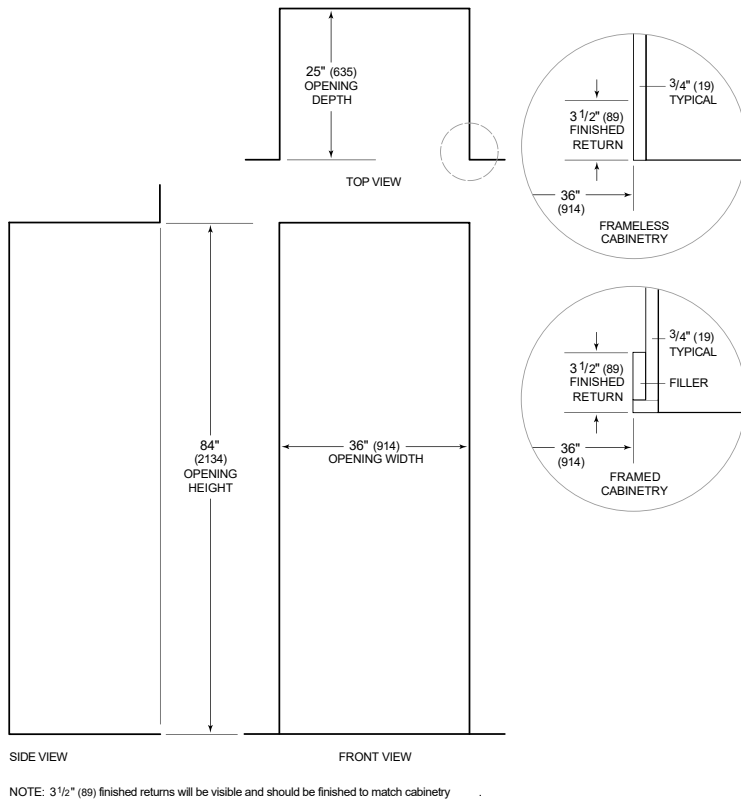


Dimensions



Standard Installation

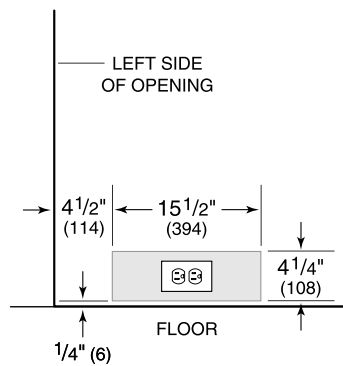


Electrical Requirements

Electrical Requirements

Electrical Supply 115 VAC, 60 Hz
 Electrical Service 15 amp dedicated circuit

Electrical Location Illustration

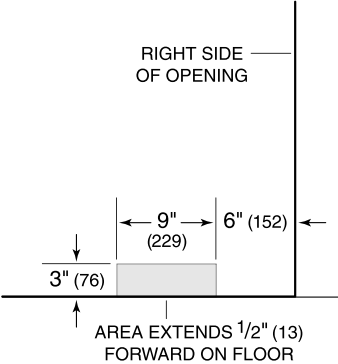


Plumbing Requirements

Plumbing Requirements

Plumbing Supply 1/4" OD copper, braided stainless steel or PEX tubing
Plumbing Pressure 35–120 psi

Plumbing Supply Illustration



Interior View

