

PLAN VIEW
3/8 in = 1 ft

ALL DIMENSIONS TO BE FIELD VERIFIED

CLIENT: MARKS RESIDENCE

ROOM: KITCHEN

HEARTH HOMES INTERIORS
5736 THORNWOOD DR.
GOLETA, CA 93117
P: (805) 679-5636
W: hearthhomesinteriors.com

DRAWINGS PROVIDED BY:



DATE:

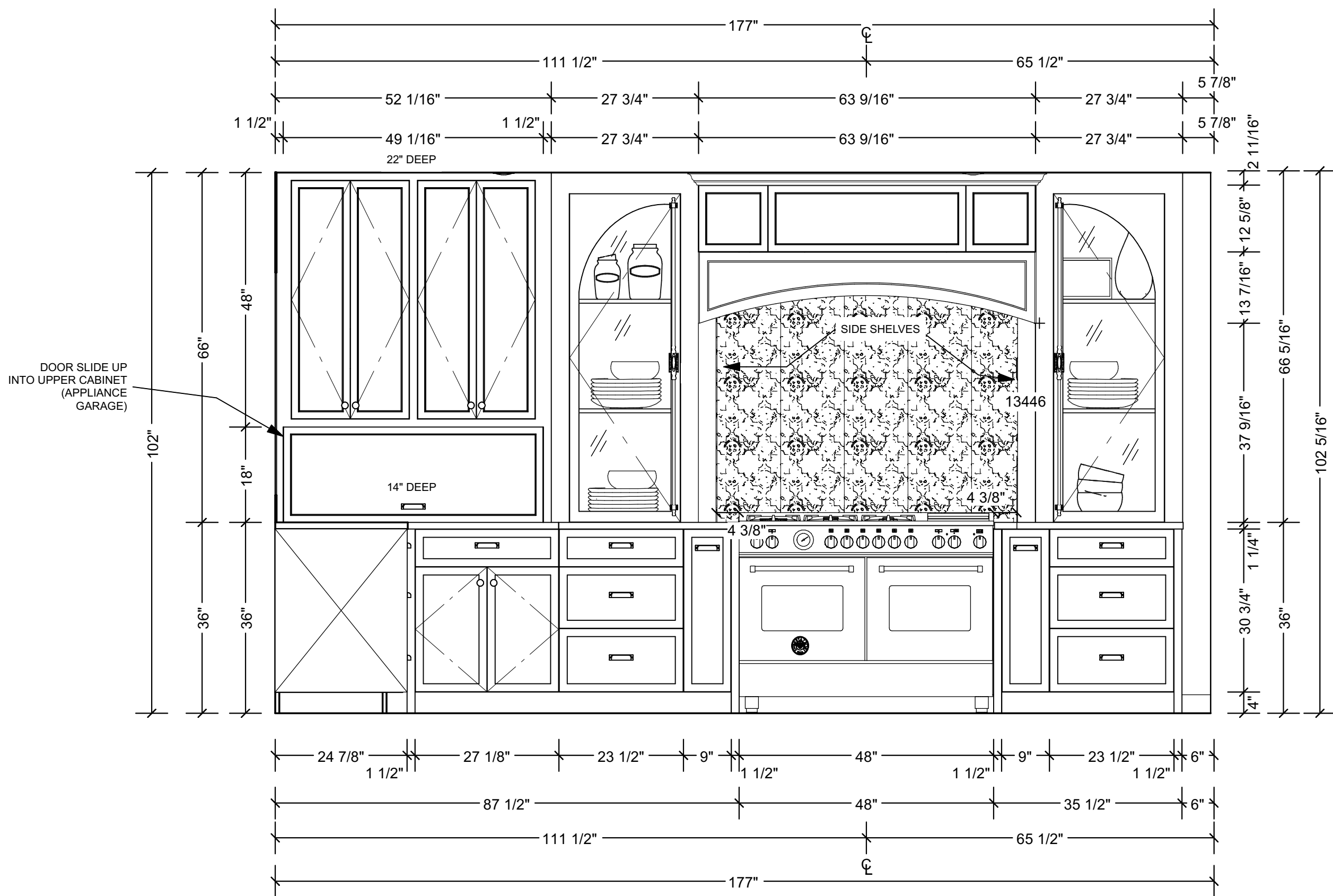
JAN 2024

SCALE:

ON PLAN

SHEET:

A1



Elevation 1
5/8 in = 1 ft

ALL DIMENSIONS TO BE FIELD VERIFIED

CLIENT: MARKS RESIDENCE

ROOM: KITCHEN

Hearth Homes Interiors
 5736 THORNWOOD DR.
 GOLETA, CA 93117
 P: (805) 679-5636
 W: hearthhomesinteriors.com

DRAWINGS PROVIDED BY:
 HEARTH HOMES

DATE:

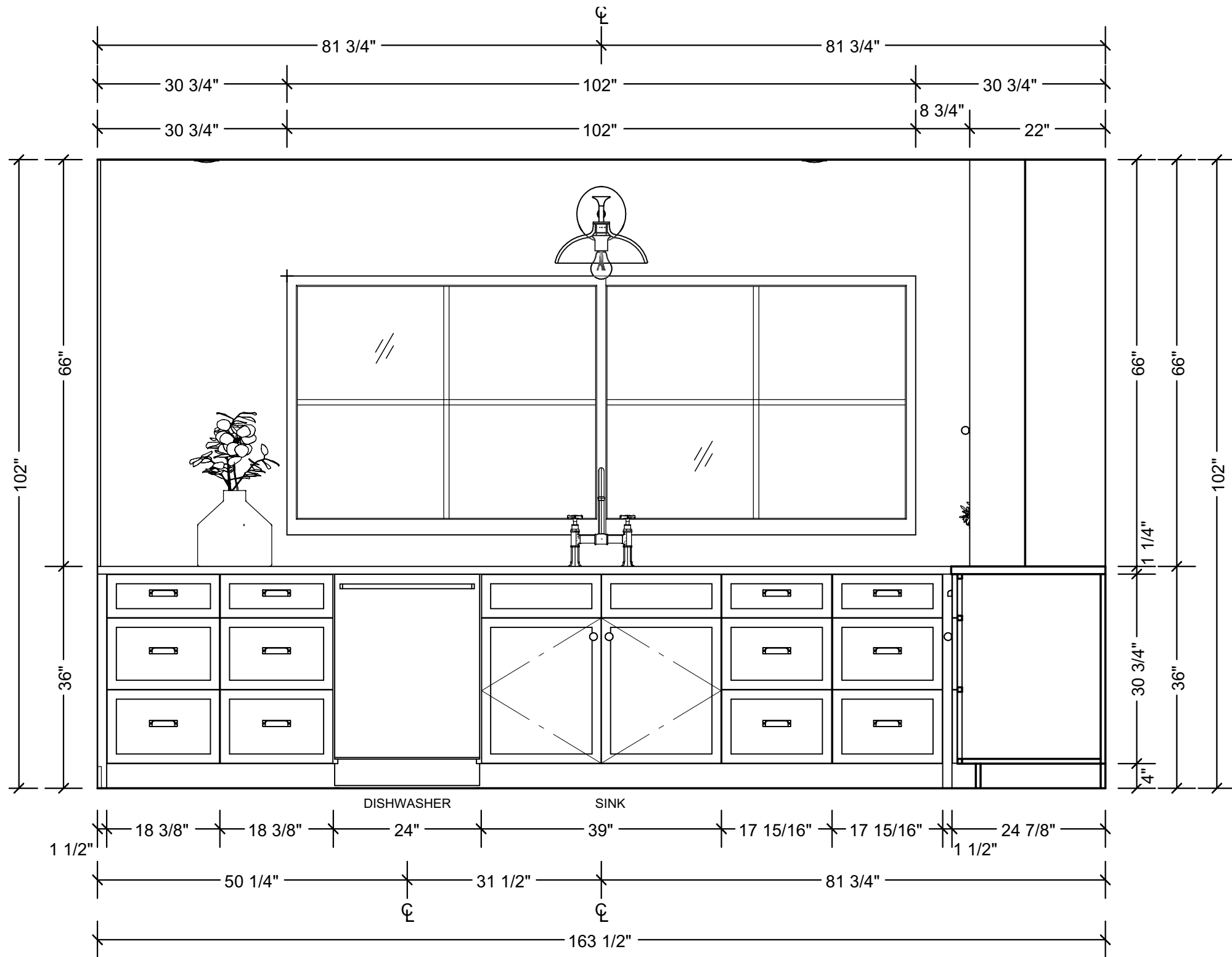
JAN 2024

SCALE:

ON PLAN

SHEET:

A2



Elevation 2
5/8 in = 1 ft

ALL DIMENSIONS TO BE FIELD VERIFIED

CLIENT: MARKS RESIDENCE

ROOM: KITCHEN

Drawings Provided by: **Hearth Homes Interiors**
5736 THORNWOOD DR.
GOLETA, CA 93117
HEARTH HOMES
P: (805) 679-5836
W: hearthhomesinteriors.com

DATE:

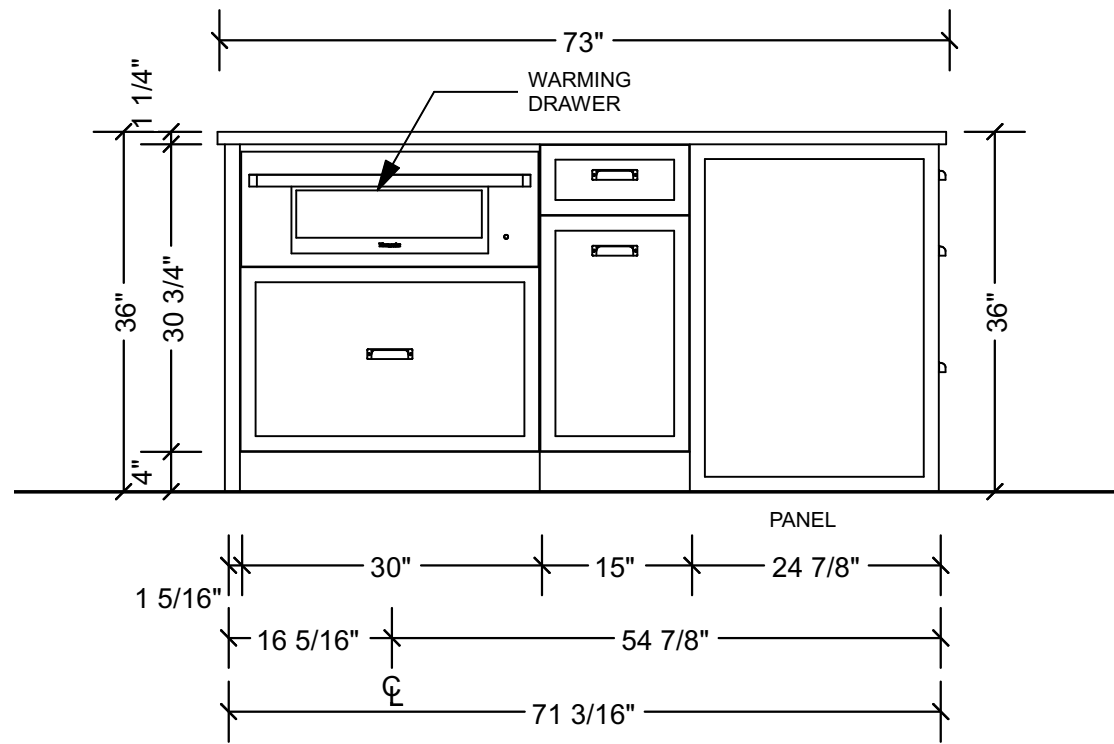
JAN 2024

SCALE:

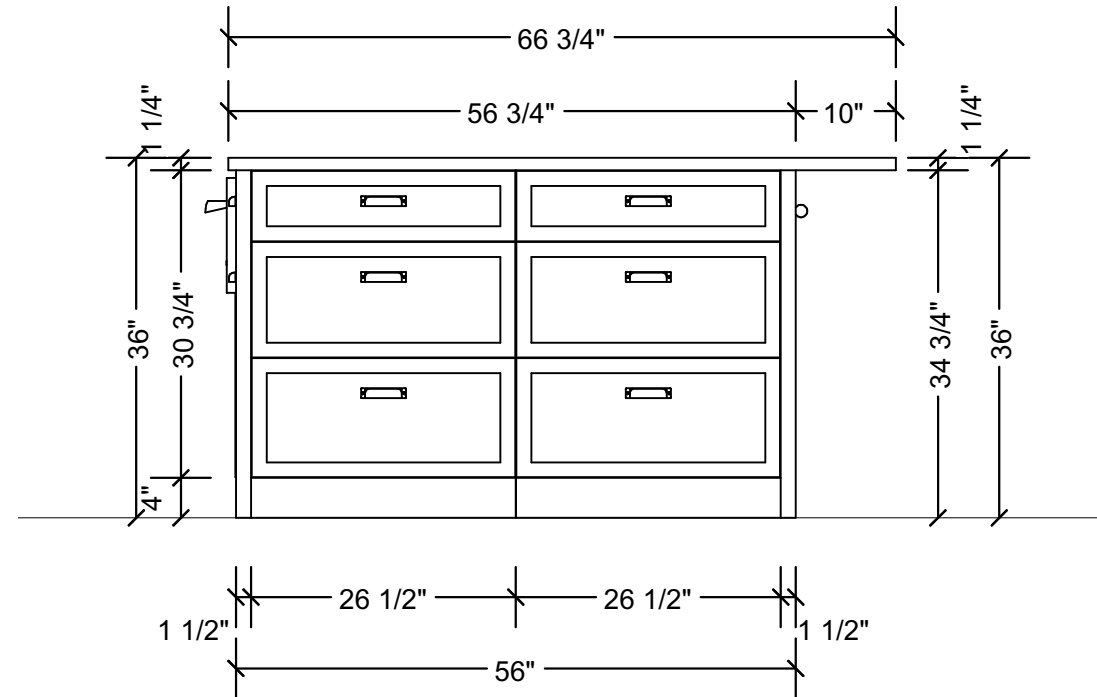
ON PLAN

SHEET:

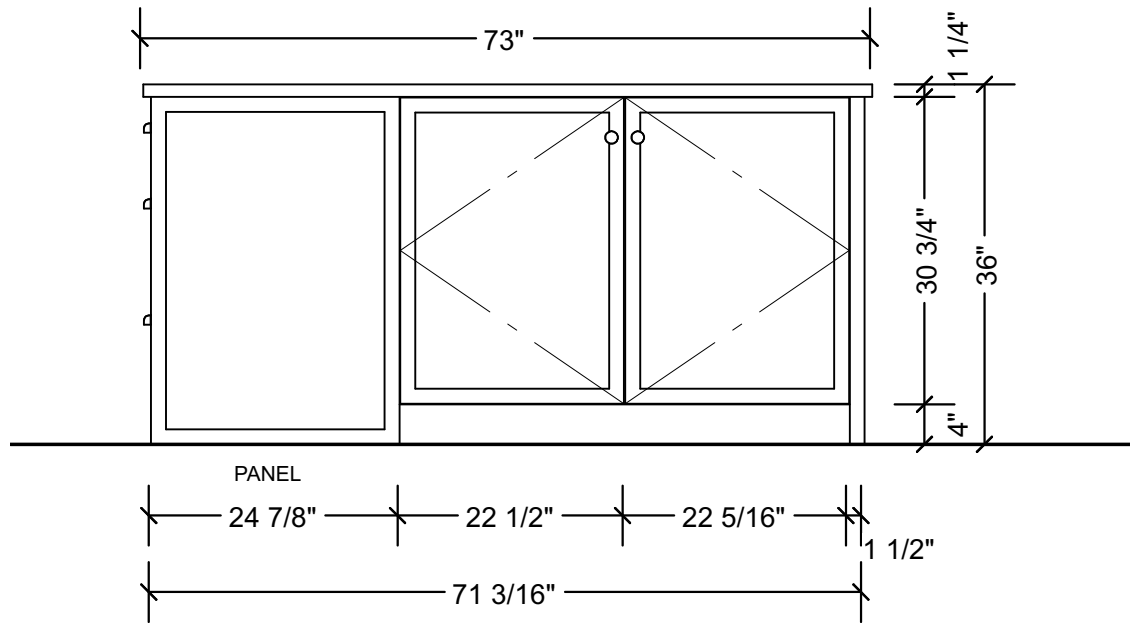
A3



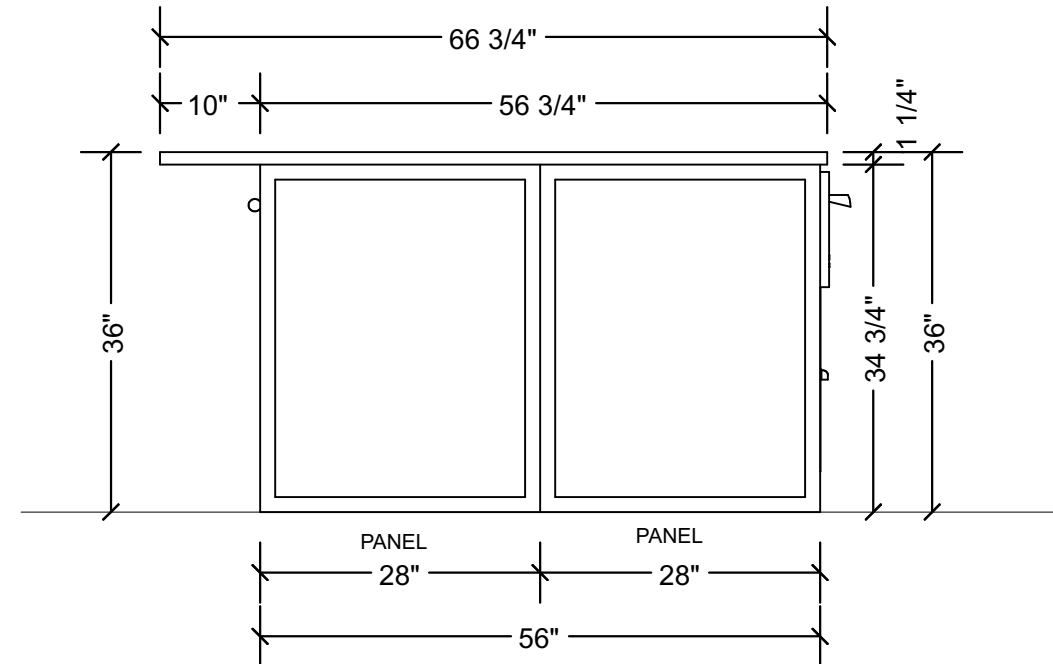
Elevation 3
5/8 in = 1 ft



Elevation 4
5/8 in = 1 ft



Elevation 5
5/8 in = 1 ft



Elevation 6
5/8 in = 1 ft

ALL DIMENSIONS TO BE FIELD VERIFIED

CLIENT: MARKS RESIDENCE

ROOM: KITCHEN

Drawings provided by: **Hearth Homes Interiors**
5736 THORNWOOD DR.
GOLETA, CA 93117
HEARTH HOMES
P: (805) 679-5636
W: hearthhomesinteriors.com

DATE:

JAN 2024

SCALE:

ON PLAN

SHEET:

A4



1.Kitchen window

ALL DIMENSIONS TO BE FIELD VERIFIED

CLIENT: MARKS RESIDENCE

ROOM: KITCHEN

Drawings Provided By: **Hearth Homes Interiors**
5736 THORNWOOD DR.
GOLETA, CA 93117
P: (805) 679-5636
W: hearthhomesinteriors.com

DATE: JAN 2024
SCALE: ON PLAN
SHEET: **A5**



2.Range wall

ALL DIMENSIONS TO BE FIELD VERIFIED

CLIENT: MARKS RESIDENCE

ROOM: KITCHEN

Drawings provided by: **Hearth Homes Interiors**
5736 THORNWOOD DR.
GOLETA, CA 93117
P: (805) 679-5636
W: hearthhomesinteriors.com



DATE:

JAN 2024

SCALE:

ON PLAN

SHEET:

A6



2b. Appliance Garage Open

ALL DIMENSIONS TO BE FIELD VERIFIED

DRAWINGS
PROVIDED BY:

Hearth Homes Interiors

5736 THORNWOOD DR.
GOLETA, CA 93117

P: (805) 679-5836
W: hearthhomesinteriors.com

HEARTH
HOMES



DATE:

JAN 2024

SCALE:

ON PLAN

SHEET:

A7

ROOM:

KITCHEN

CLIENT:

MARKS RESIDENCE



3.Sink wall closeup

ALL DIMENSIONS TO BE FIELD VERIFIED

DRAWINGS
PROVIDED BY:

Hearth Homes Interiors

5736 THORNWOOD DR.
GOLETA, CA 93117

P: (805) 679-5836
W: hearthhomesinteriors.com



DATE:

JAN 2024

SCALE:

ON PLAN

SHEET:

A8

ROOM:

KITCHEN

CLIENT:

MARKS RESIDENCE



4.Kitchen perspective

ALL DIMENSIONS TO BE FIELD VERIFIED

CLIENT: MARKS RESIDENCE

ROOM: KITCHEN

Hearth Homes Interiors
5736 THORNWOOD DR.
GOLETA, CA 93117
P: (805) 679-5636
W: hearthhomesinteriors.com

HEARTH
HOMES

DATE:

JAN 2024

SCALE:

ON PLAN

SHEET:

A9



5.Wide angle

ALL DIMENSIONS TO BE FIELD VERIFIED

CLIENT: MARKS RESIDENCE

ROOM: KITCHEN

Hearth Homes Interiors
5736 THORNWOOD DR.
GOLETA, CA 93117
P: (805) 679-5636
W: hearthhomesinteriors.com

HEARTH
HOMES

DATE:

JAN 2024

SCALE:

ON PLAN

SHEET:

A10



Kitchen island warming drawer



Kitchen island side

ALL DIMENSIONS TO BE FIELD VERIFIED

CLIENT: MARKS RESIDENCE

ROOM: KITCHEN

Drawings Provided By: **Hearth Homes Interiors**
 5736 THORNWOOD DR.
 GOLETA, CA 93117
 P: (805) 679-5636
 W: hearthhomesinteriors.com



DATE:

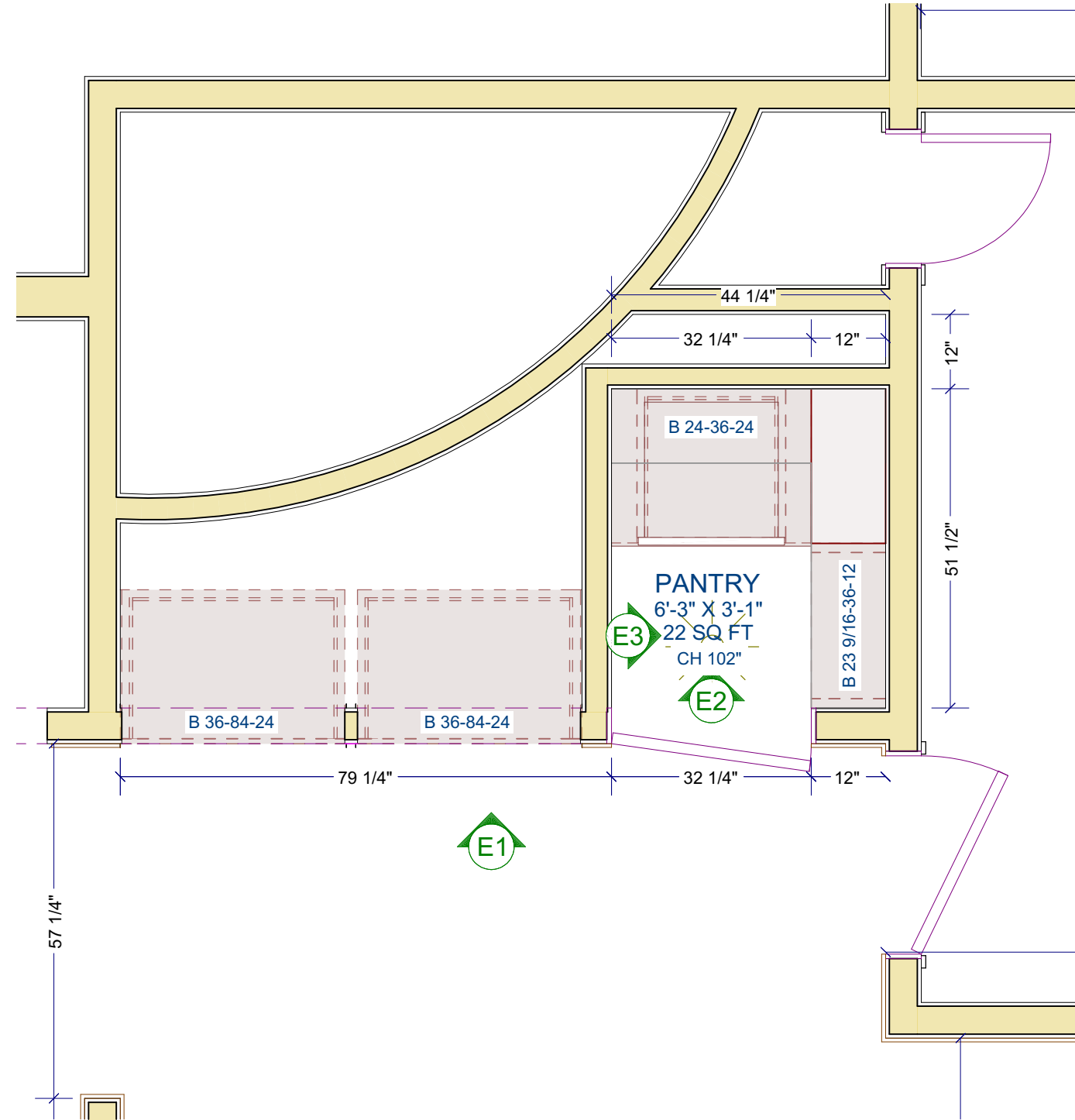
JAN 2024

SCALE:

ON PLAN

SHEET:

A11



Plan View
1/2 in = 1 ft

ALL DIMENSIONS TO BE FIELD VERIFIED

DRAWINGS PROVIDED BY:

Hearth Homes Interiors
5736 THORNWOOD DR.
GOLETA, CA 93117
P: (805) 679-5836
W: hearthhomesinteriors.com



DATE:

JAN 2024

SCALE:

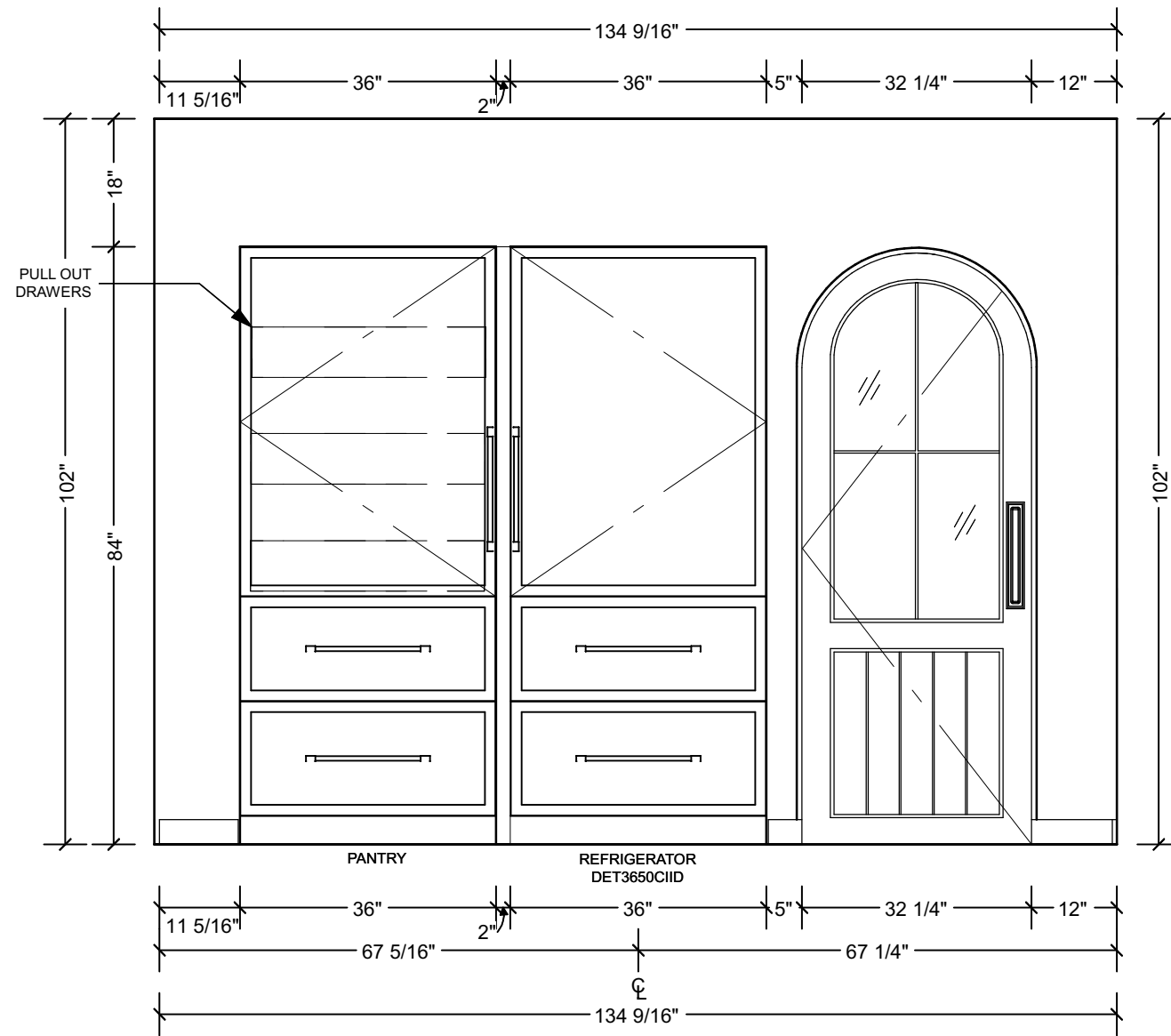
ON PLAN

SHEET:

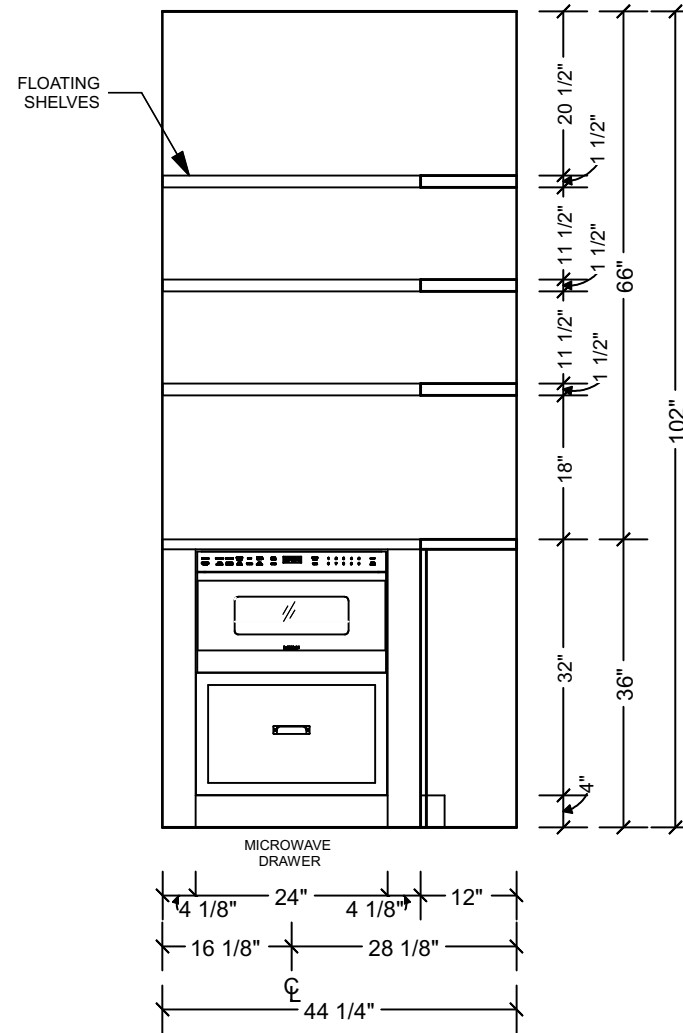
A1

ROOM: KITCHEN PANTRY

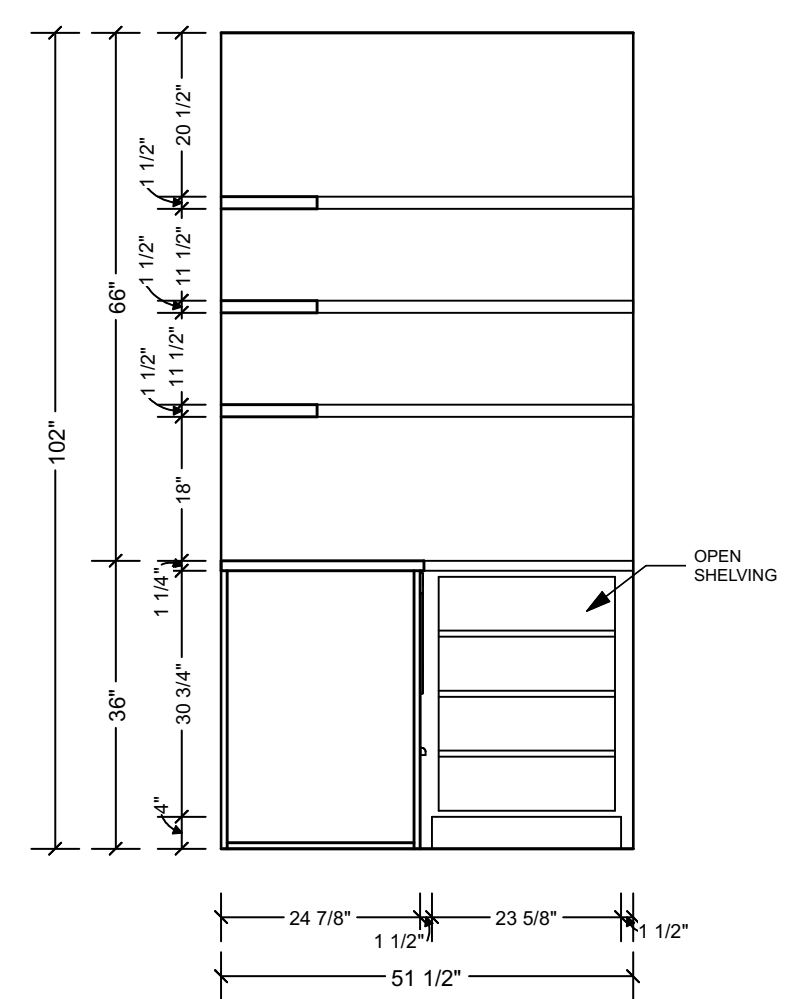
CLIENT: MARKS RESIDENCE



Pantry Elevation 1
1/2 in = 1 ft



Pantry Elevation 2
1/2 in = 1 ft



Pantry Elevation 3
1/2 in = 1 ft

ALL DIMENSIONS TO BE FIELD VERIFIED

CLIENT: MARKS RESIDENCE

ROOM: KITCHEN PANTRY

Drawings provided by: **Hearth Homes Interiors**
 5736 THORNWOOD DR.
 GOLETA, CA 93117
 P: (805) 679-5636
 W: hearthhomesinteriors.com

DATE:

JAN 2024

SCALE:

ON PLAN

SHEET:

A2



Pantry 1 Front

ALL DIMENSIONS TO BE FIELD VERIFIED

DRAWINGS
PROVIDED BY:

Hearth Homes Interiors

5736 THORNWOOD DR.
GOLETA, CA 93117

P: (805) 679-5836
W: hearthhomesinteriors.com



DATE:

JAN 2024

SCALE:

ON PLAN

SHEET:

A3

ROOM:

KITCHEN PANTRY

CLIENT:

MARKS RESIDENCE



Pantry 2 door open

ALL DIMENSIONS TO BE FIELD VERIFIED

DRAWINGS
PROVIDED BY:

Hearth Homes Interiors

5736 THORNWOOD DR.
GOLETA, CA 93117
P: (805) 679-5636
W: hearthhomesinteriors.com



DATE:

JAN 2024

SCALE:

ON PLAN

SHEET:

A4

ROOM:
KITCHEN PANTRY

CLIENT:
MARKS RESIDENCE



Pantry 3 Interior

ALL DIMENSIONS TO BE FIELD VERIFIED

DRAWINGS
PROVIDED BY:

Hearth Homes Interiors

5736 THORNWOOD DR.
GOLETA, CA 93117
P: (805) 679-5836
W: hearthhomesinteriors.com



DATE:

JAN 2024

SCALE:

ON PLAN

SHEET:

A5

ROOM:

KITCHEN PANTRY

CLIENT:

MARKS RESIDENCE